

| Model number | Input voltage range | Output power | Output voltage | Output current Min | Output current Max | Certification |
|-----------------------|---------------------|--------------|----------------|--------------------|--------------------|---------------|
| EUCP150XY-1W24V-0MWWZ | 100-277VAC | 150 W | 24V | 0 | 6.25A | FCC/CCC/CB |
| EUCP150XY-1W36V-0MWWZ | 100-277VAC | 150 W | 36V | 0 | 4.2A | FCC/CCC/CB |
| EUCP150XY-1W48V-0MWWZ | 100-277VAC | 150 W | 48V | 0 | 3.2A | FCC/CCC/CB |

| XY= | Dimming method | Programmable | 12Vaux | Dim-off | Z= | |
|-----|----------------|--------------|--------|---------|----|---------------------------|
| NN | — | — | — | — | U | UL cable with ground wire |
| AN | 0-10V | — | — | √ | S | VDE cable/Class I |
| EN | 0-10V | — | √ | √ | | |
| DN | DALI | — | — | √ | | |

Technical Parameters

| Model | EUCP150XY-1WxxV-0MWWZ | |
|------------|-----------------------|--|
| Output | Channels | 1 |
| | Voltage accuracy | ±3%Vo |
| | Output overshoot | 10% Vo, max. |
| Input | Voltage | 100VAC – 277VAC** |
| | Frequency | 50/60Hz |
| | Current | 1.4Amax@120VAC & Full-Load, 0.75Amax@220VAC & Full-Load |
| | Inrush current | 65A peak, 1.2ms duration, <0.25A2s@230VAC, Cold Start 70A peak, 1.3ms duration, <0.5A2s@277VAC, Cold Start |
| | PF | >0.9@60-100%load, refer to PF vs. Load curve |
| | THD | <15%@60-100%load, refer to THD vs. Load curve |
| | Leakage Current | 1mA max @277VAC 60Hz, UL8750, 0.75mAmax @240VAC 50Hz, IEC61347-1 |
| Protection | Input under voltage | Shut down and auto-restart |
| | Input over voltage | *Optional: Shutdown @320VAC |
| | Output over current | 120% Io, typ. |
| | Short circuit | Auto recovery. The output recovers when short is removed. |
| | Over temperature | Lower the output current when $T_c \geq 105 \pm 10^\circ\text{C}$; Auto Recovery When $T_c \leq 70 \pm 10^\circ\text{C}$ |
| Others | Setup time | 1.2s max. |
| | Surge protection | Line to line 4kV, line to ground 10kV, IEC 61000-4-5 |
| | Operating temperature | T_c : $-40^\circ\text{C} \sim +90^\circ\text{C}$; 10%RH~100%RH |
| | Storage temperature | $-40^\circ\text{C} \sim +85^\circ\text{C}$; 5%RH~100%RH |
| | MTBF | ≥320,000 hours, 75°C case temperature (MIL-HDBK-217F) |
| | Lifetime | ≥100,000 hours, 75°C case temperature |
| | Case temperature | 90°C max, marked in the T_c point of label |
| | Dimensions | 6.34x2.66x1.32 by inch (body), 7.40x2.66x1.32 by inch (endcaps included) 161.0x67.5x33.5 by mm (body), 188.0x67.5x33.5 by mm (endcaps included) |

| | |
|------------|----------------------------------|
| Net weight | 800g |
| Packing | 20pcs/Carton/17kg, 500x320x315mm |

Notes: Unless specified, all the test results are measured in 25°C room temperature.

* marked items are optional and contact with sales people to get the functions.

Dimming

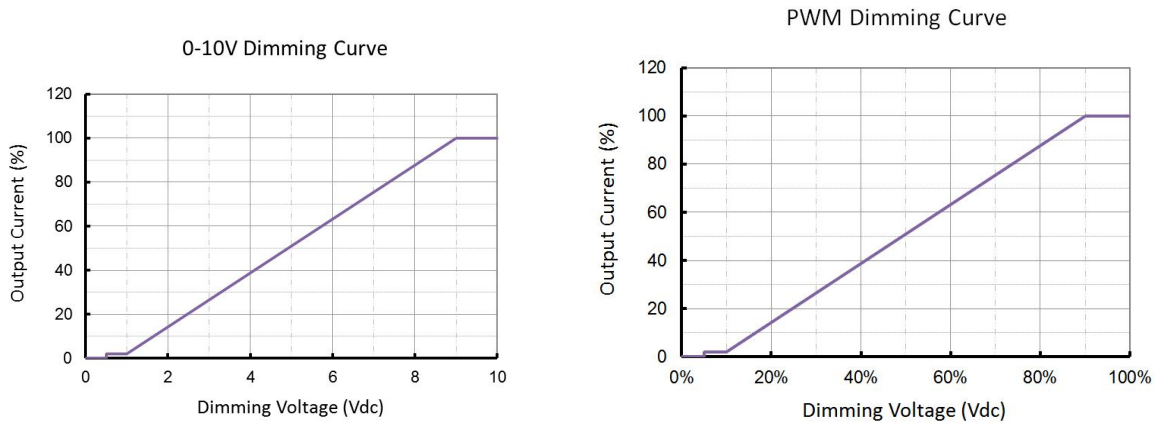
| Parameter | Min. | Typ. | Max. |
|--|---------------|------------|---------------------|
| Vdim sourcing current | 200uA | 300uA | 450uA |
| Vdim allowed input voltage | -20 V | | 20 V |
| 0-10V dimming range | 2% (Vdim=1V) | Linear | 100% (Vdim=9~10V) |
| PWM dimming range | 2% (Duty=10%) | Linear | 100% (Duty=90-100%) |
| Dim off threshold | | 0.5V or 5% | 0.6V or 6% |
| Dim on threshold | 0.6V or 6% | 0.7V or 7% | |
| PWM High | 3V | | 10V |
| PWM Low | 0V | | 0.6V |
| PWM frequency | 300Hz | | 2kHz |
| External PWM controller current sinking capability | 300uA | | |
| DA1,DA2 high Level | 9.5 | 16 | 22.5 |
| DA1,DA2 low Level | -6.5 | 0 | 6.5 |
| DA1,DA2 current | 0 | | 2mA |

Safety/EMC Compliance

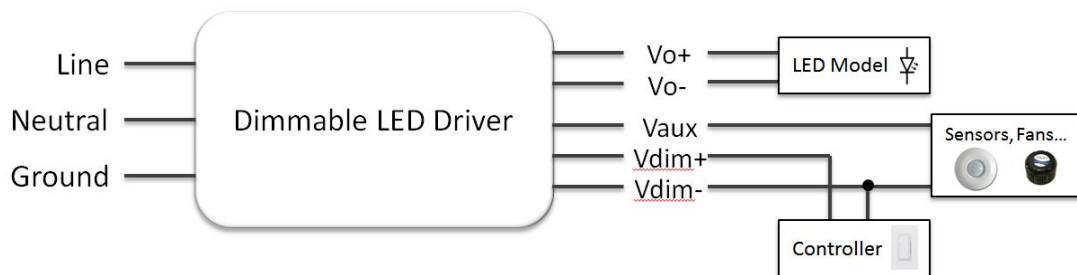
| Safety Standard | Description |
|-----------------|---|
| UL8750 | Light emitting diode(LED) equipment for use in lighting products |
| UL1012 | Power units other than class 2 |
| IEC 61347-1 | Lamp control gear Part 1: general and safety requirements |
| IEC 61347-2-13 | Lamp control gear Part 2-13: particular requirement for d.c. or a.c. supplied electronic control gear for LED modules |
| EMI Standards | Description |
| IEC 55015 | Conducted emission test & radiated emission test |
| IEC 61000-3-2 | Harmonic current emissions; Class C |
| IEC 61000-3-3 | Voltage fluctuations & flicker |
| FCC Part 15 | ANSI C63.4:2009 Class B |
| EMS Standards | Description |
| IEC 61000-4-2 | Electrostatic discharge (ESD): 8 kV air discharge, 4 kV contact discharge |
| IEC 61000-4-3 | Radio frequency electromagnetic field susceptibility test (RS) |
| IEC 61000-4-4 | Electrical fast transient (EFT) |
| IEC 61000-4-5 | Surge immunity test |
| IEC 61000-4-6 | Conducted radio frequency disturbances test (CS) |
| IEC 61000-4-8 | Power frequency magnetic field test |

| | |
|----------------|---|
| IEC 61000-4-11 | Voltage dips |
| IEC 61547 | Electromagnetic immunity requirements applies to lighting equipment |

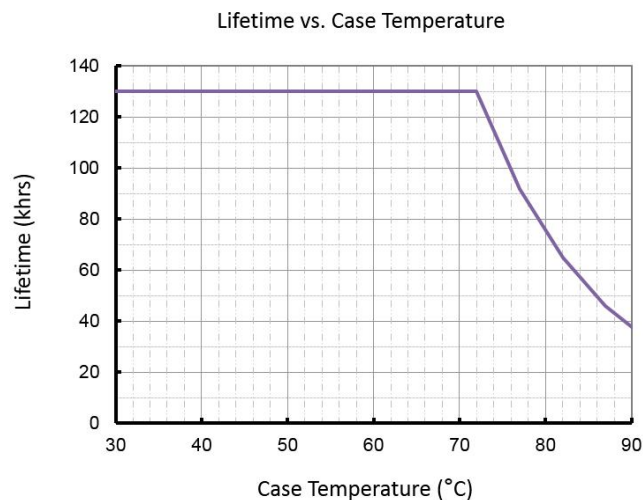
Dimming Curve



Dimming Wiring

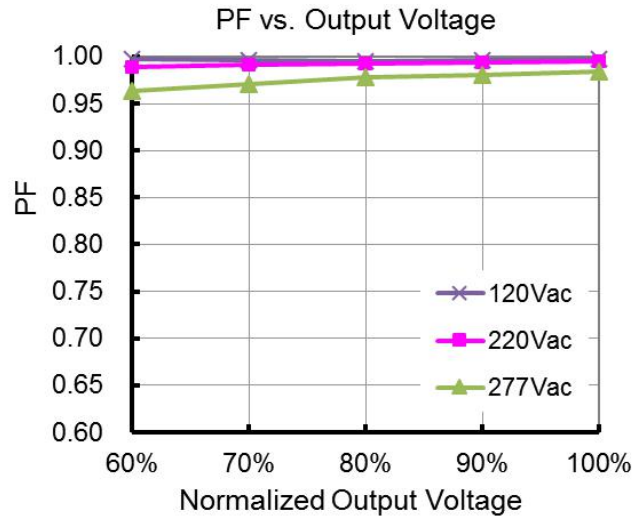


Lifetime vs. Case Temperature

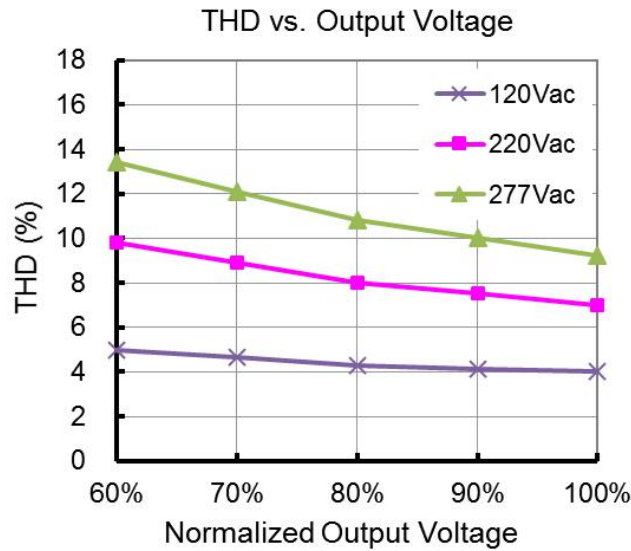


(End of Life: Maximum Failure Rate=10%)

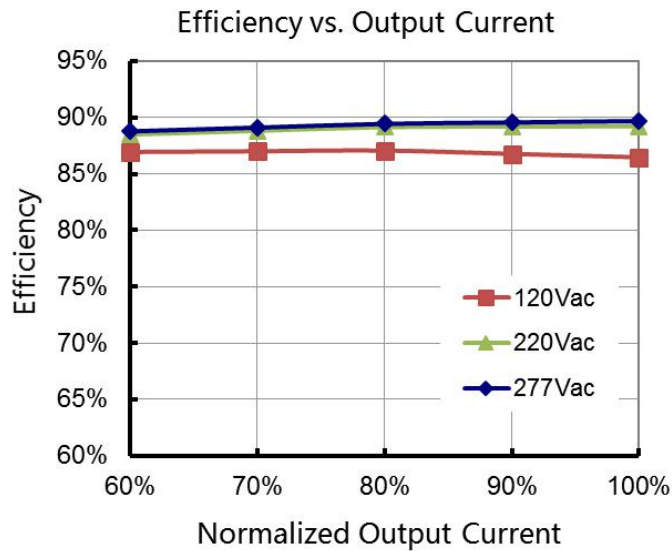
Power Factor vs. Load



THD vs. Load

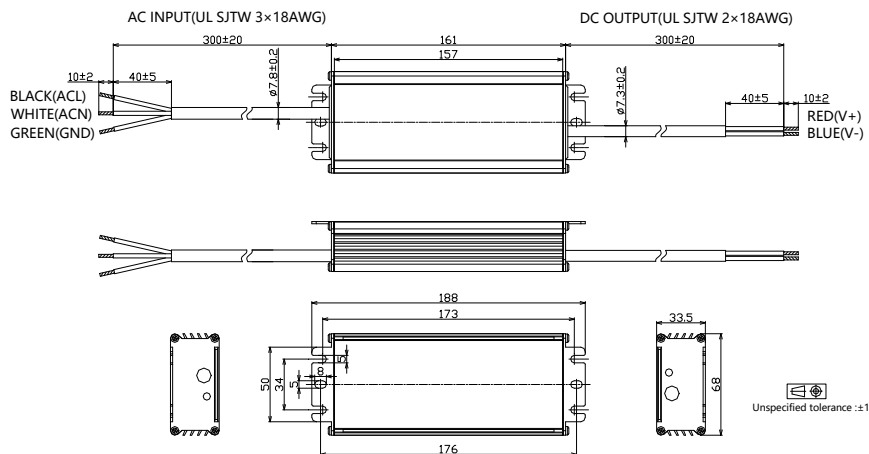


Efficiency vs. Load (24V Model)

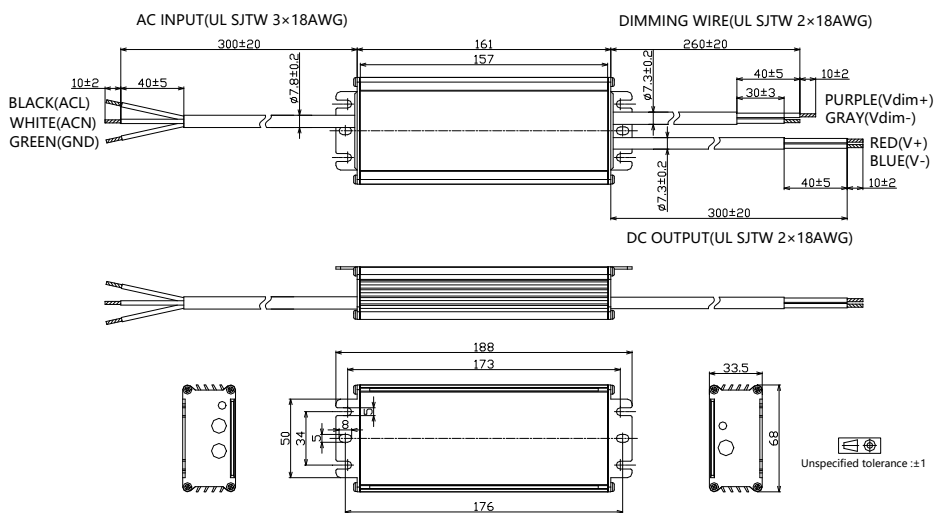


Dimension (mm)

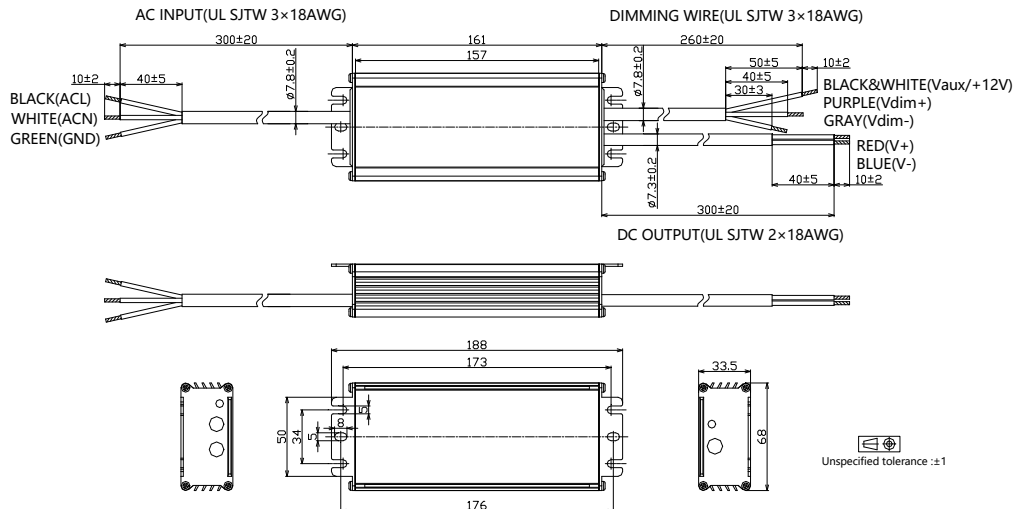
EUCP150NN-1WxxV-0MWWU



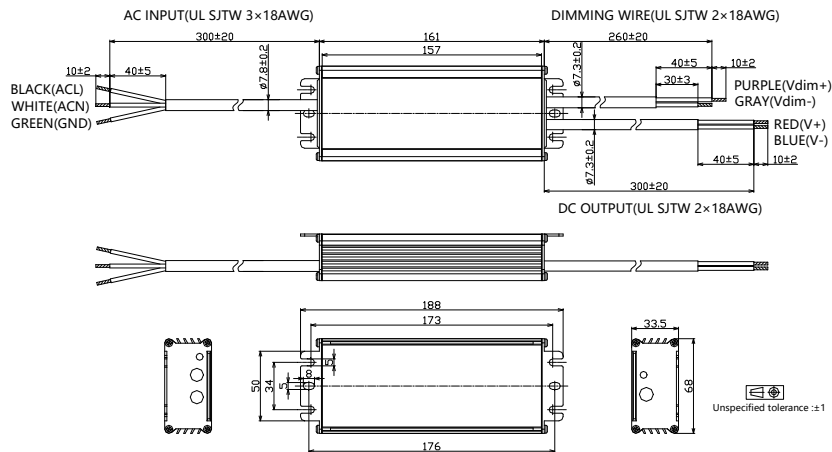
EUCP150AN-1WxxV-0MWWU



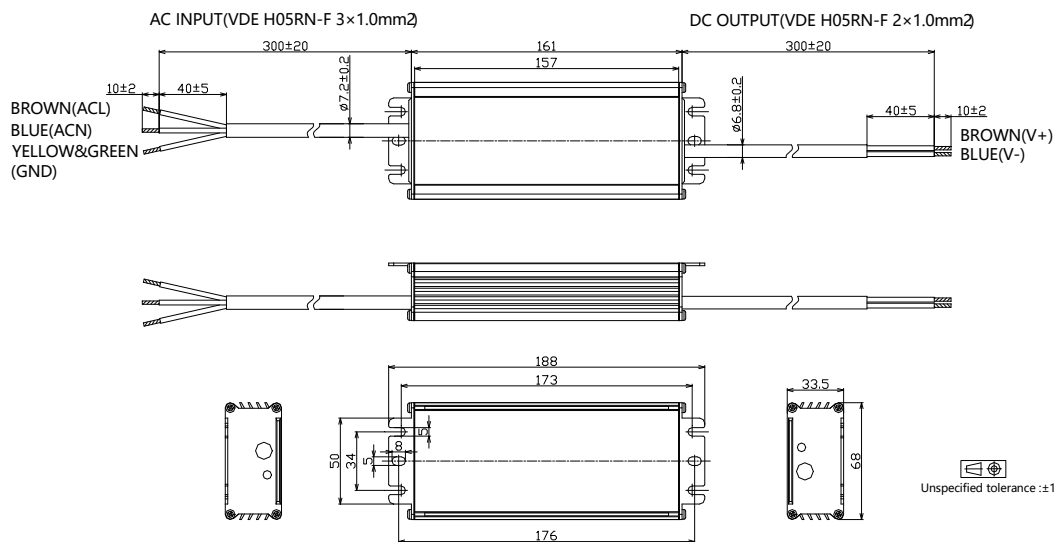
EUCP150EN-1WxxV-0MWWU



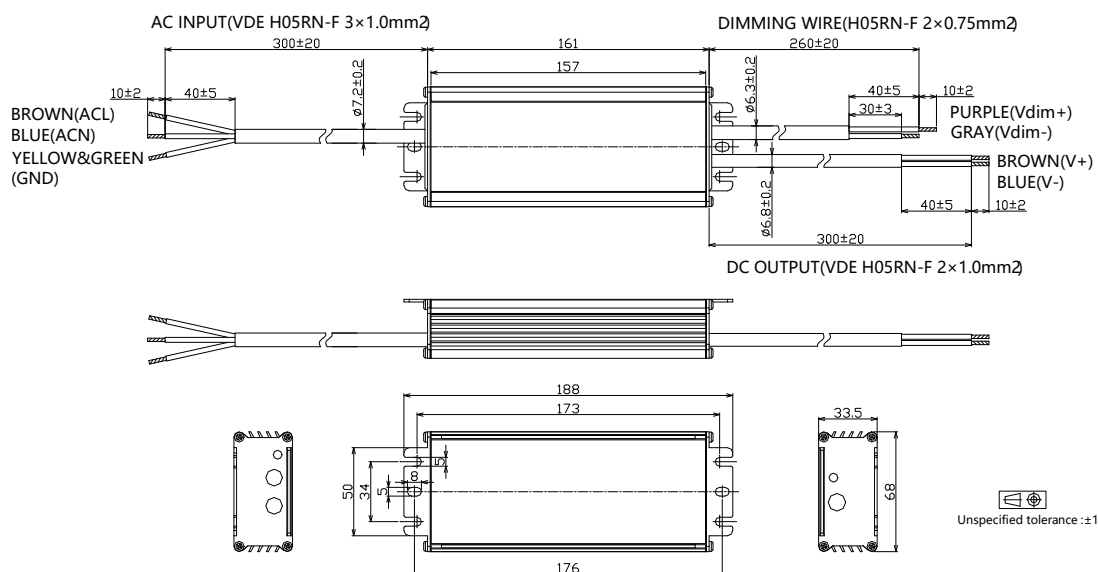
EUCP150DN-1WxxV-0MWWU



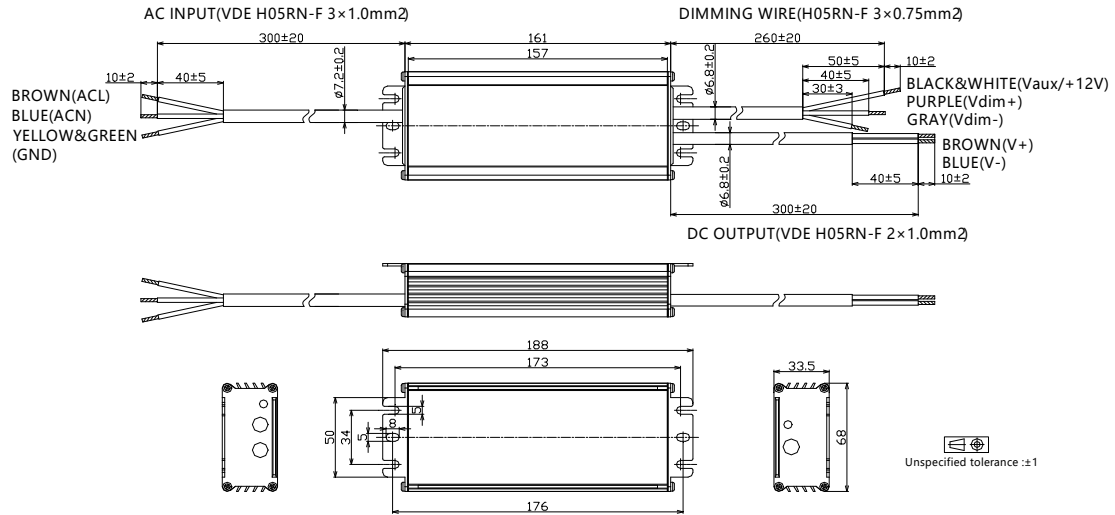
EUCP150NN-1WxxV-0MWWs



EUCP150AN-1WxxV-0MWWs



EUCP150EN-1WxxV-0MWWS



EUCP150DN-1WxxV-0MWWS

