

4-Channel General Repeater

RP416

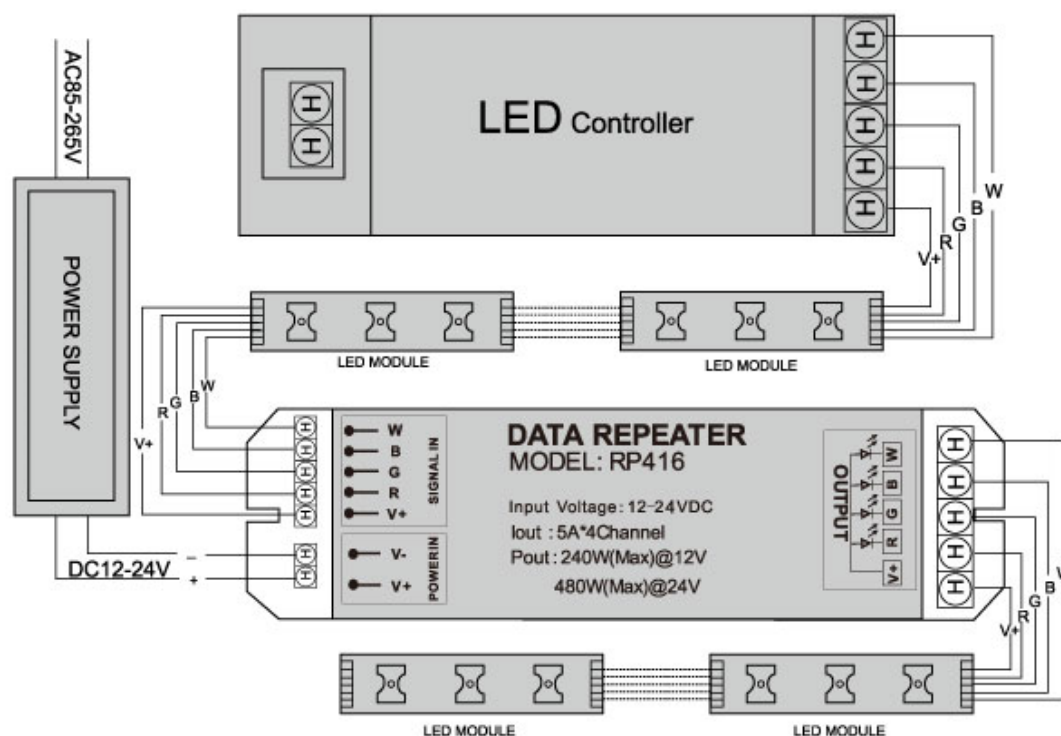
Features:

- Applied to power repeat of synchronous changing signal;
- 4 channel RGB control , the max current of each channel up to 5 A;
- Accepts PWM control;
- Be used to kinds of LED modules;
- Theoretically we can connect limitless LED modules by connecting the repeaters in series.

Product Specification:

Input Power	DC 12-24V
Input/output channels	4
Output power	240W @12V/480W @24
Size	168(L)X51(W)X22(H) mm
Weight	80g

Wire Connections:



Remark

- ①Can connect various single color modules and RGB+W modules with the common anode.
- ②Can connect 200 pieces of RGB+W modules or 800 pieces of single color modules, or a number of high power LED lamps (according to the connection method).