

# Walldim103

## 0-10V Dimmer

### Product Features

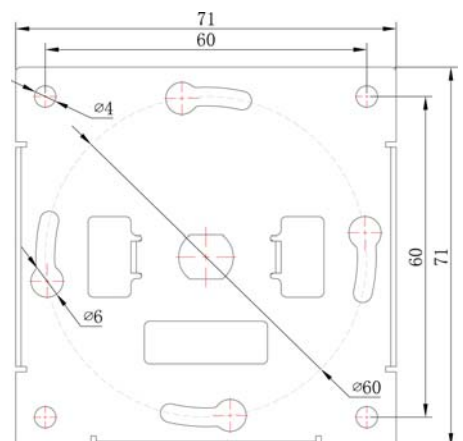
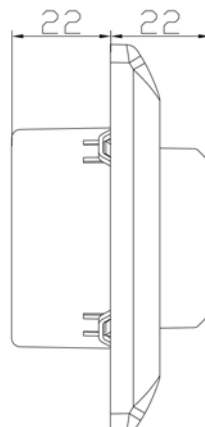
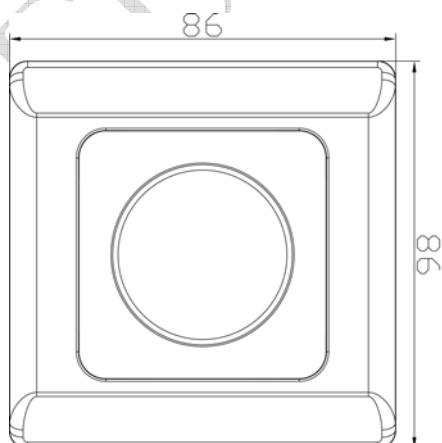
- Suitable for 0-10V LED dimming driver
- Installation in appliance box to DIN 49073
- ABS material, high flame retardant
- Fashion, and easy to use
- Used in the study, bedroom, restaurant, bars and other places need dimming control



### Technical Parameters

Model	Walldim 103
Output	0-10V signal
The number of driver connected to knob	20
Type	Passive dimmer
Panel color	Ivory-white
Panel size	86*86*44mm (W*H*D)
Packing size	103*103*50mm (W*H*D)
G.W.	140g
Working temp.	-10°C ~ 55°C
Relative humidity	20~90% RH

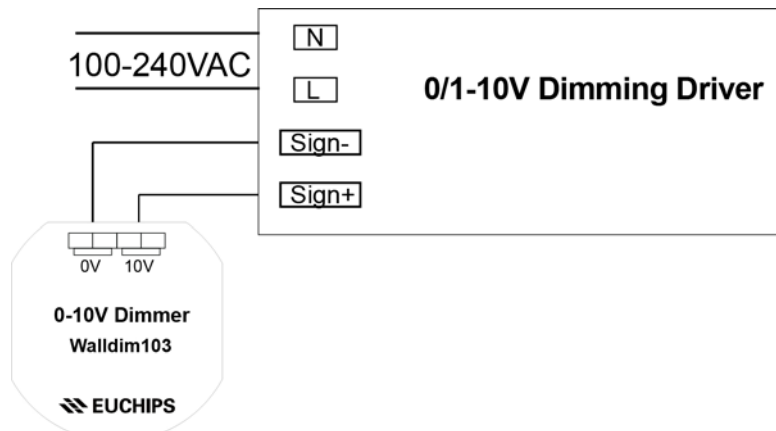
### Dimension (mm)



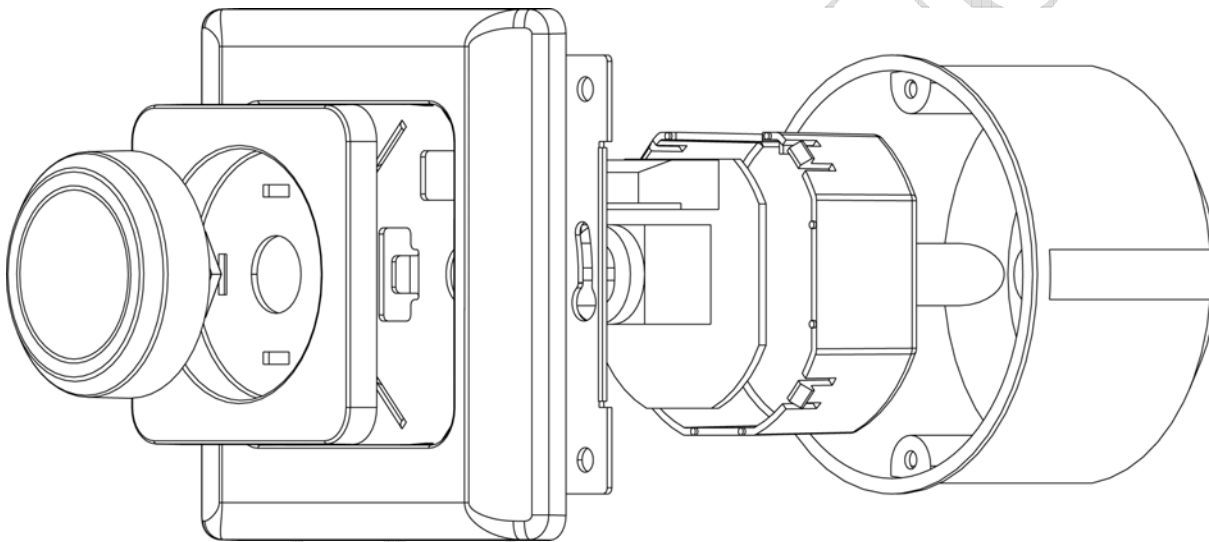
## Function Description

- 1) Press the knob to switch dimmer. When close the output signal, the lamp will shut down the output.
- 2) Adjust the brightness of light by rotating the knob, twist the knob clockwise to brighter lamps.

## Wiring Diagram



## Installation Guide



1. Remove the knob, nut and panel
2. Connect wire according to Wiring Diagram. Refer to Wiring Diagram.
3. Mount the bottom box on the cassette in the wall after connecting the wire, and then nail the screw, fix it on the wall.
4. Mount panel and knob to the bottom box in the right direction.