

EUK06

Programmable Contact Access Module

Product Features

- Comply with EU-BUS protocol developed by EUCHIPS
- Can connect to 6 dry contact signal
- Can connect 6 LED lights as key backlight
- Easy to edit the function for each port
- Supplied via EU-BUS bus, without external power supply
- Compact, easy to install into the electrical box



Technical Data

Item	Parameters
Power supply	Supplied via EU-BUS bus
Protocol	EU-BUS
The number of dry contact signal	6
The number of external backlight	6
Dimension	44*46*14mm (L*W*H)
Package size	53*53*21mm (L*W*H)
G.W.	20g
Operational temperature	-20°C ~+50°C

Product Function

Panel, mechanical key, and the contact can be connected to the EU-BUS system via EUK06 easily, and finish quadratic programming function, the user can define port function in PC software- EUCHIPS 9 to achieve the needs of different users.

Now, we will define the function as shown in figure1

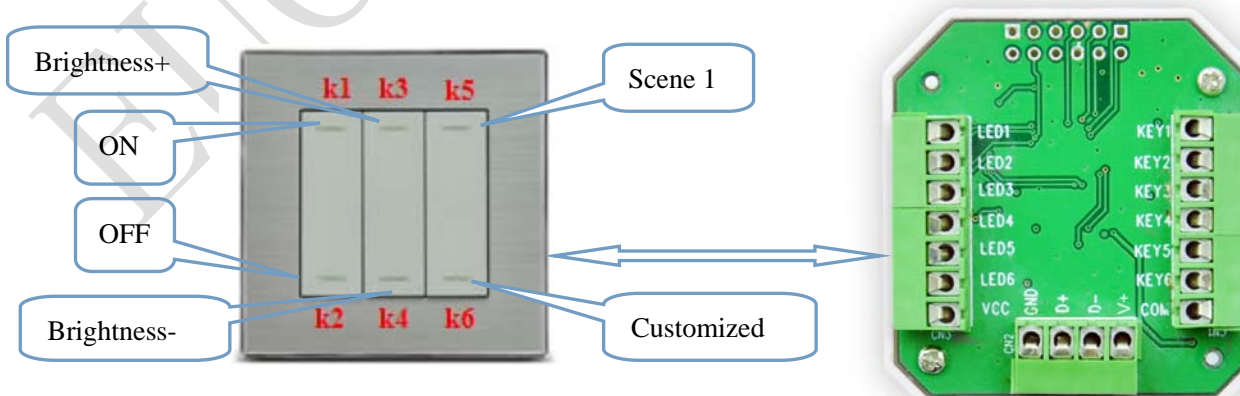


Figure 1

EUK06 is connected to 6 key reset panel, and each button with a LED lamp, when the button is pressed to execute the command, if the LED lights, the operation is considered to be effective, otherwise, it is invalid. We can edit the panel through the software:

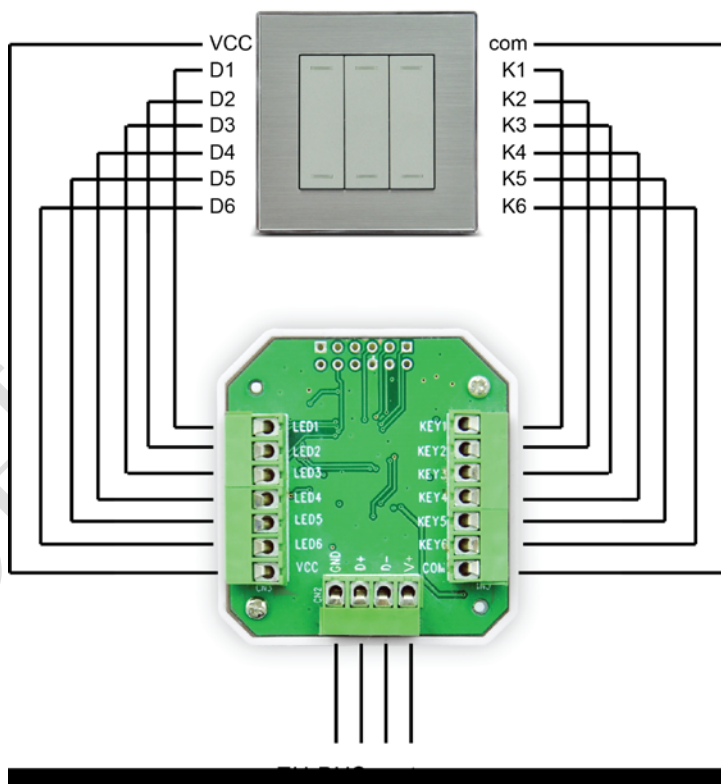
- Press "K1" to turn on all the lamps
- Press "K2" to turn off all the lamps
- Press "K3" to increase the brightness of all the lamps
- Press "K4" to decrease the brightness of all the lamps
- Press "K5" to trigger scene1
- Press "K6" to trigger the function defined by user

Also, we can edit the function as following

- Press "K1" to turn on the lamps of Group 1
- Press "K2" to turn on the lamps of Group 2
- Press "K3" to increase the brightness of Group 1, release to remain the current brightness
- Press "K4" to decrease the brightness of Group 1, release to remain the current brightness
- Press "K5" to trigger Group1 of Area 1
- Press "K6" to trigger Group1 of Area 2

The access panel modules, not only can flexibly edit and modify all key functions, but also in the EU-BUS system to achieve inter regional and inter regional linkage control. Can effectively meet user functional requirements in hotels, villas, schools, meeting rooms and other places.

Typical Application



Installation

- ◆ The EUC06 is inserted into the mounting box for the key switch.
- ◆ The EUC06 must not be connected to the mains. It is supplied directly via the EU-BUS signal line.
- ◆ The EUC06 output is connected to the reset switch panel. The length of wire is not exceed 50cm.

Our company provide 1-3 dual reset switch panel. Please choose according to the actual demand.