

# DALI6000

## Features

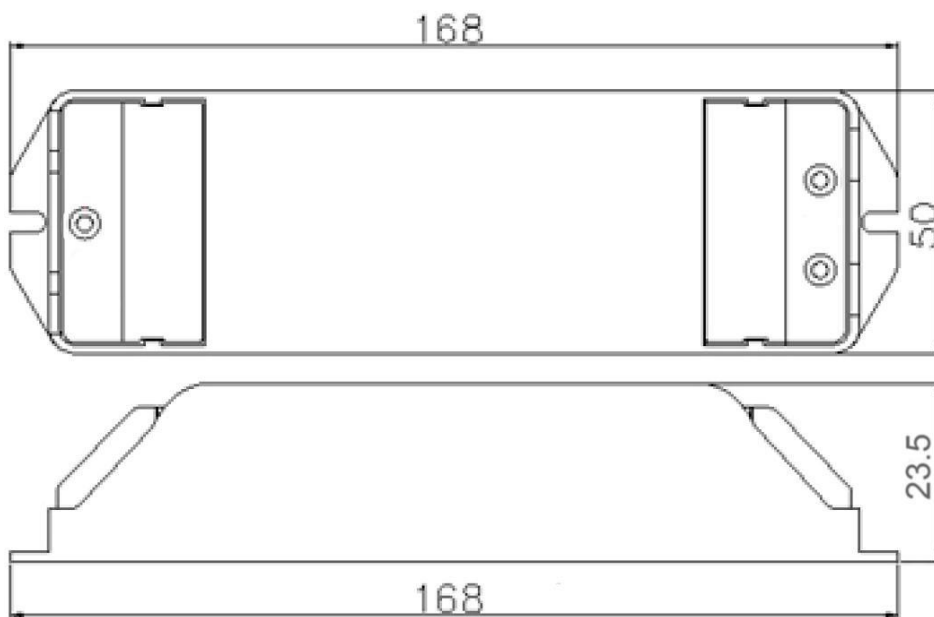
- DALI to 0-10V Converter
- 1 channel 0-10V Analog Signal output
- Drive capability: max 15mA/channel
- Meets DALI protocol IEC62386/IEC60929
- Support automatic addressing and address extensions
- Input Voltage: DC12 -24V
- Security Level: 2 Level



## Technical Parameters

|                             |                       |
|-----------------------------|-----------------------|
| Conversion Channel          | 1 Channel             |
| Input Voltage               | DC12 -24V             |
| Input Signal                | DALI Signal           |
| Dimming DALI Protocol       | IEC62386/IEC60929     |
| Output Signal               | 0-10V Analog Signal   |
| Output Current/Each Channel | 15mA                  |
| Size                        | L168 X W50 X H23.5 mm |
| Packing Size                | L175 X W57 X H30.5 mm |
| G.W.(g)                     | 86.2g                 |
| Operating Temperature       | -20°C - 50°C          |

## Dimension



## Connection Diagram



## Installation Notes

- (1) Please read the connection diagram carefully before installation.
- (2) Please use the complete set of product according to the provided specification.
- (3) Please firstly pressure the cap end down in wire connecting, then insert the thread of wire, and lastly check the wire is or not insert firmly.
- (4) Please carefully check whether wiring connection is correct before power on.