

Features 1

- Meet DMX512 (1990) international standard protocol
- Support 4 zones separately, each zone 4 channels.
- Control RGBW lights separately or synchronously
- Support speed, brightness, color live adjustment.
- Can save 4 customized scenes
- Built-in 36 kinds of mode
- High sensitivity panel touch button and color ring
- Color ring using scrub concave ring design, more ergonomics.
- Using glass material, stylish appearance.
- Compatible with any DMX fixtures or DMX drivers.
- Can be installed in the wall, suitable for all types of wall boxes.



Technical Parameters 2

Voltage : 5VDC

Zones : 4

Power : 3W

Scenes : 4

DMX channels:16 (Each zone 4 channels)

Product Size : 146(L) *106 (W)*11 (H)mm

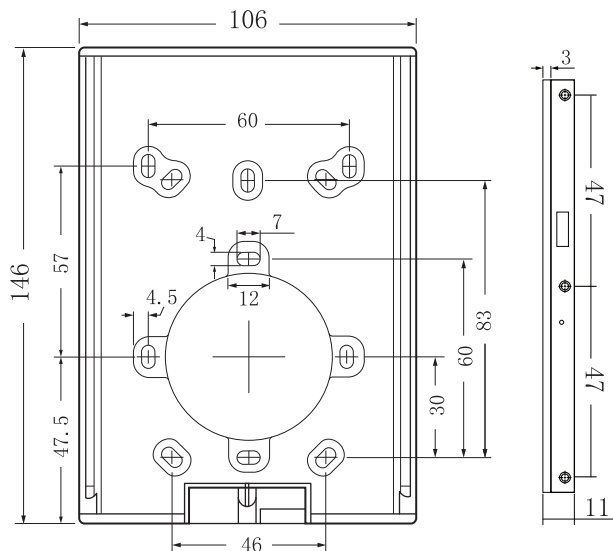
Indicators : 13

N.W : 200g

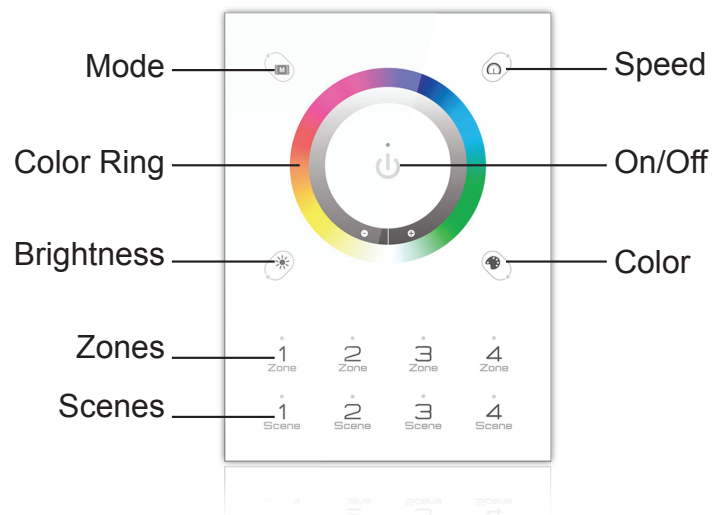
Dimmer : DMX512

Work temperature 0℃ - 50℃

Dimension 3



Appearance 4



Function Guide 5

ON/OFF

Under OFF state, click on the “ON/OFF” button to open DMX panel, the lamps controlled by the panel will light up with the last closed state. Under ON state, click on the “ON/OFF” button, you can close the panel, all fixtures controlled by this panel will turn off. on/off led indicator will light weakly, indicate the on/off switch position in darkness.

Under OFF state, click on zone button or scene button also can open the panel, the lamps light up with zone or scene last closed state.

Area/Zone Dimming

The panel supports four DMX zones, each zone has 4 channels. Zone 1 for channel 1~4, zone 2 for channel 5~8, zone 3 for channel 9~12, zone 4 for channel 13~16. Each zone has a corresponding indicator.

Click Zone1/2/3/4 button can be individually selected corresponding zone, the lamps connected of the zone will light up with the brightness or color saved last, and the corresponding indicator will light , so lamps of the zone can be adjust color or brightness. Selecting “Color” ”Built-in mode” ”Speed” or ”Brightness” button to editing lighting effects. Other zone will stay the same.

Click another zone button to switch zone, the lighting effects in other zones will not change. Only the selected zone indicator light up, indicate the zone could be adjust.

When one zone is selected, click on the zone icon again, can closed lamps connect of the zone, and the zone indicator turn off.

Long press one zone button 2 seconds, the four zones selected simultaneously, four zone led indicators light up, in this case you can operate four zones synchronously.

Scene Settings

Click on Scene1/2/3/4 button, you can play the 4 kinds of scene saved by user. Each time can play one scene. In the scene play mode, you can adjust the brightness only, other mode can't be used.

After adjust the brightness or color of lamps on one or multiple zones, then long press the scene button for 3 seconds, after "di-di-di" Tone, means the lighting effects of four zones have been saved in this scene successfully.

You can save up to four scenes user-defined. You can continue to save a new scene effect on the scene button that has saved scene. (Note: The scene saved before will be covered).

Lighting Effects Editor

When you need to edit the lamps of brightness, color or other modes, you can use the panel powerful live editing function. Notice: You can edit lighting effects only after the corresponding zone selected, in scene mode only can adjust the brightness. Please refer to “Area/Zone Dimming” instruction to select the zone.

Color ring : Color ring has different functions in different editing modes.

- Under color mode, adjust the color of lamps connect to the selected zone by touching around the ring with finger.
- Under brightness mode, adjust the brightness of lamps connect to the selected zone by touching around the ring with finger
- Under speed mode, adjust the speed of built-in dynamic mode by touching around the ring with finger.
- Click (+) (-) on ring, can adjust the brightness directly to highest or lowest brightness.

Mode Adjustment: Built-in 36 kinds of full color mode, after select the corresponding zone,click on the “Mode” button you can play the mode. Repeat click the button, the built-in mode will switch to other mode in order.

Speed Adjustment: Under the built-in mode, you can switch to speed editor mode, adjustment

the speed by touching “color ring” with finger , clockwise turn will increase the speed, counter clockwise turn will reduce the speed.

Brightness Adjustment: After selected corresponding zone (or all zones), click “Brightness” button, enter “Brightness Adjustment” state, in this case you can adjust the brightness of lamps connect of selected zone or adjust the overall brightness of current scene. Slide “ color ring” with finger to adjust brightness, touch the color ring clockwise, the brightness of light gradually increase; touch the color ring anticlockwise, the brightness of light decrease gradually; darkest brightness is 5%.

Color Adjustment: After selected corresponding zone, click “ color” button, enter “ Color adjustment” mode, slide “ color ring” with finger can adjust the color of lamps connect to the selected zone .

Button Tone Settings

Use the DIP switch1 to set button tone. When set the DIP switch 1 to "ON", the button tone is enable; Otherwise, the button tone is disable.

Button Indicator Settings

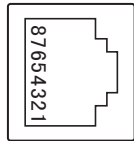
Use the DIP switch 2 to set button indicator light. When set the DIP switch 2 to "ON", the button indicator will light up when touch the button; Otherwise, the button lights are disable.

Built-in mode 6

NO.	Mode	NO.	Mode
1	Static Red	19	RB fade
2	Static Green	20	WB fade
3	Static Blue	21	PY fade
4	Static Yellow	22	RGB gradual fade out
5	Static Purple	23	Seven color fade
6	Static Cyan	24	DISCO
7	Static White	25	FIRE
8	RGB jump	26	Seven color chase(16 channel)
9	Seven color jump	27	RG chase(512 channel)
10	White strobe	28	GB chase(512 channel)
11	Red fade	29	RB chase(512 channel)
12	Green fade	30	YC chase(512 channel)
13	Blue fade	31	Seven color chase(512 channel)
14	White fade	32	Red water(512 channel)
15	Yellow fade	33	Green water(512 channel)
16	Purple fade	34	Blue water(512 channel)
17	RG fade	35	Yellow water(512 channel)
18	GB fade	36	Purple water(512 channel)

Interface introduction 7

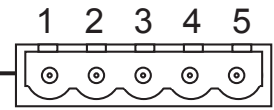
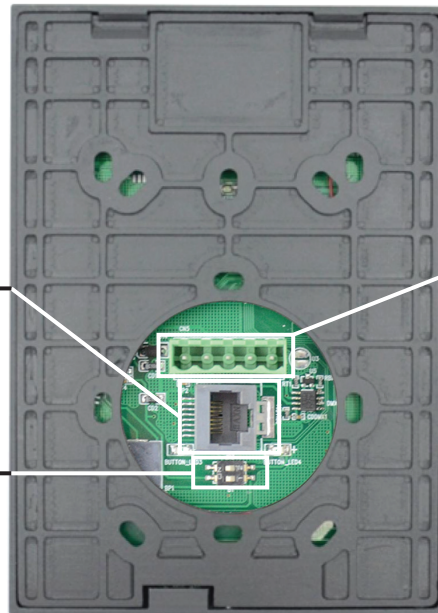
PIN1: DMX+
 PIN2: DMX-
 PIN7: GND
 PIN8: GND



Signal interface: DMX RJ45



DIP Switch 1: Control the button tone on/off
 DIP Switch 2: Control the indicator light on/off



Port1: V+
 Port2: V-
 Port3: GND
 Port4: DMX-
 Port5: DMX+

Installation Guide 8

1. Mount an electrical box inside the wall
 DMX-E03 can be installed in any standard electrical box, you can insert the adapter inside or outside the electrical box

2. To lock the back cover on the electrical box and fix it with the screwdriver

3. Connect the wires

DMX: Connect the DMX cable to the lighting receivers

Power: Make sure to not invert the + and the ground

4. To lock the glass panel and fix it with the screwdriver.

