

EUC601

Analog Signal Amplifier



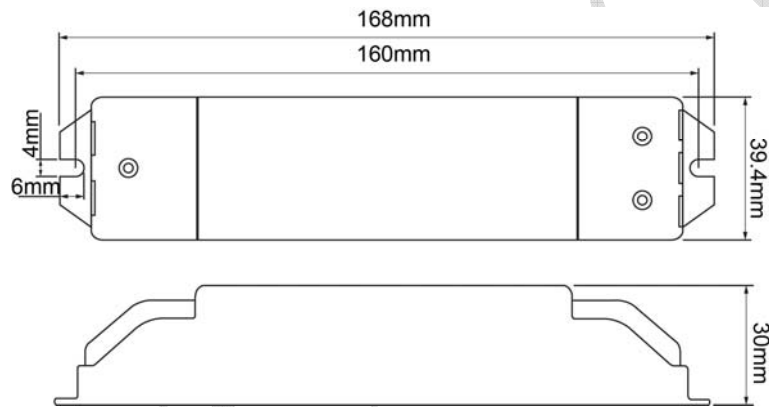
Product Features

- Amplify driving ability of 0-10V signal, or convert PWM, passive signal to 0-10V signal
- Support 0-10V active signal, resistance/passive signal, and PWM signal
- High quality amplifier, output current of 200mA
- Used for the situation that the main controller's driver ability isn't enough

Technical Parameters

Model		EUC601
Output	Accuracy Channels	1
	Voltage	0-10VDC
	Current	200mA
Input	Voltage	15-48VDC
	Signal	0-10V active signal, resistance/passive signal, or PWM signal
Others	Dimension	168*39.4*30 mm (L*W*H)
	G.W	90g
	Packing Size	470*200*220 mm(L*W*H),50pcs/6.0kg/Carton
	Working temp.	-20℃ ~ 40℃
	Relative humidity	20~90% RH

Dimension(mm)



Wiring Diagram

