

EUP12T-1W12V-1

TRIAC Constant Voltage Dimming Driver

Product Features

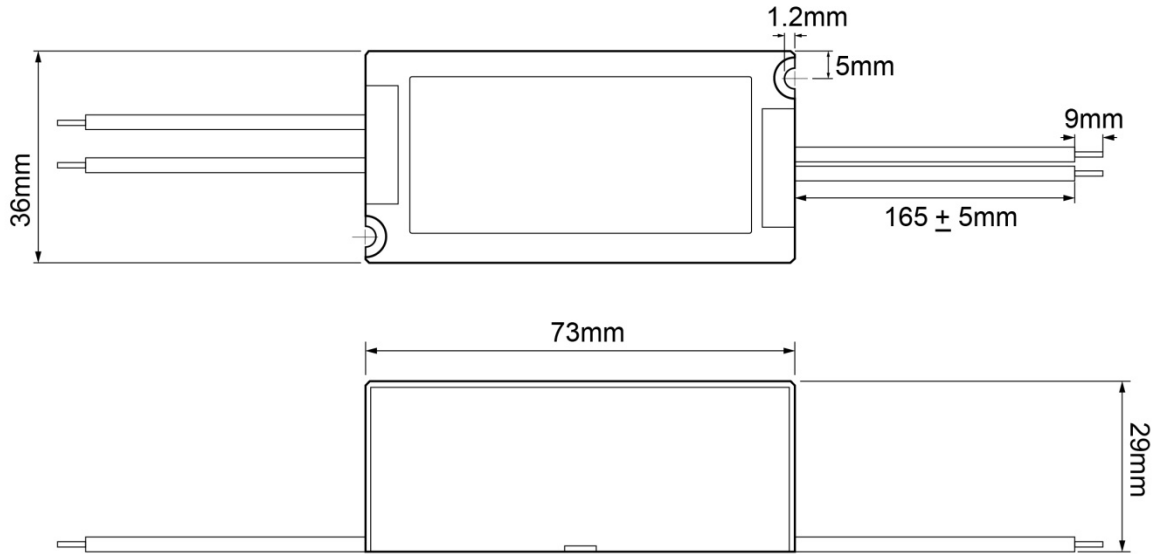
- Single-channel constant voltage output, 12VDC
- Support Leading edge (Triac) and Trailing edge (ELV) Dimmer
- Dimming range from 40VAC to 240V AC
- Dimming effect smooth, no flicker
- Over power protection; Over voltage protection
- Suitable for indoor LED lighting application



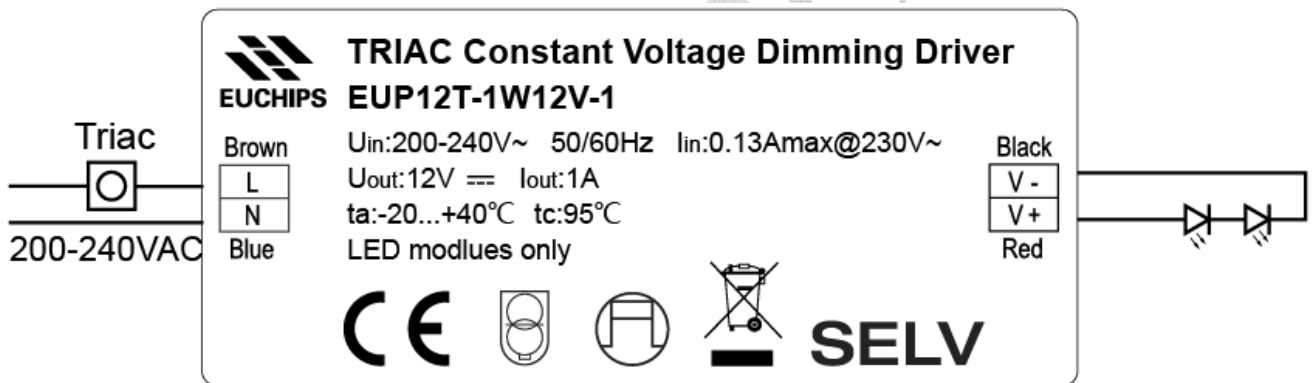
Technical Parameters

Model		EUP12T-1W12V-1
Output	Channels	1
	Voltage	12VDC
	Current	1A
	Power	12W
	Voltage Accuracy	±3%
	R & N (Max)	120mVp-p
Input	Voltage	200VAC – 240VAC
	Frequency	50/60Hz
	Dimming Voltage Range	40-240VAC
	Efficiency(Typ)	77%
	Current	0.13A@230VAC
	Inrush Current	12A@230VAC
Protection	Over Voltage	Close output, recovers after fault condition is removed
	Over Power	Hiccup mode, recovers after fault condition is removed
Function	Dimming	Triac/ELV
Others	Dimension	73*36*29 mm (L*W*H)
	G.W	85g
	Working temp.	-20℃ ~ 40℃
	Relative humidity	20~90% RH

Dimension(mm)



Wiring Diagram



Note: For capacitive load, the larger inrush current will reduce the service life of the electrolytic capacitor. Before using this product, please contact the relevant technical personnel to match and verify.