

EUP15T-1HMC-0

TRIAC Constant Current Dimming Driver



Summary

EUP15T-1HMC-0 is a constant current mode output LED driver. The output current can be easily set via the DIP dial switch. The driver supports leading edge (Triac) and trailing edge (ELV) dimmer, and can be compatible with the systems of various brands (Philips, Panasonic, Lutron, Simon, ABB, Siemens, Dalitek etc.) to achieve a smooth dimming effect.

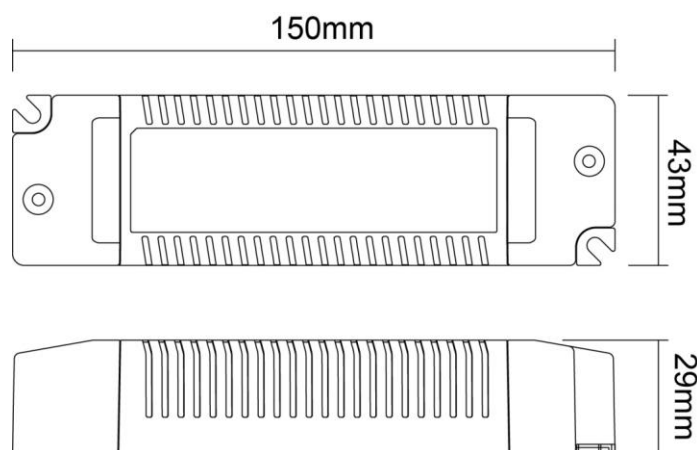
Product Features

- Single channel output, output current level selectable by DIP S.W.
- Support Leading edge (Triac) and Trailing edge (ELV) dimmer
- Dimming range from 40VAC to 240VAC
- Class 2 power supply. Full protective plastic housing
- Dimming effect smooth, no flicker
- Protections: Short circuit, over load, over temperature
- Suitable for indoor LED lighting application, such as down light, spotlights, panel light, and so on

Technical Parameters

Model		EUP15T-1HMC-0		
Output	Current	280mA	350mA	450mA
	Voltage	3-42VDC	3-42VDC	3-33VDC
	Rated power	11.76W	14.7W	14.85W
	Current accuracy	±5%		
	No load output voltage	48VDC		
	Output LF current ripple(< 120 Hz)	<3%		
	Channels	1		
Input	Voltage	200VAC – 240VAC		
	Frequency	50/60Hz		
	Current	0.2Amax@230VAC		
	Dimming voltage range	40-240VAC		
	Power factor	>0.5 @230VAC,full load		
	Efficiency	80%@230VAC,full load		
	Inrush current	Cold start, 15A($t_{width}=22\mu s$ measured at 50% I_{peak}) @230VAC		
Protection	Short circuit	Close output, recovers automatically after fault removed		
	Over load	When the output voltage is exceeded, the output current decreases and, recovers automatically when the load is reduced.		
	Over temperature	Shut down the output, recovers automatically when temp. back to normal.		
Function	Dimming	Triac/ELV		
Others	Dimension	150 *43*29 mm (L*W*H)		
	G.W	130g		
	Working temp.	-20°C ~ 50°C		
	Relative humidity	20~90% RH		

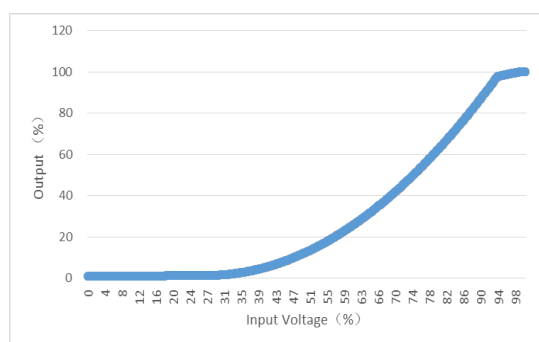
Dimension (mm)



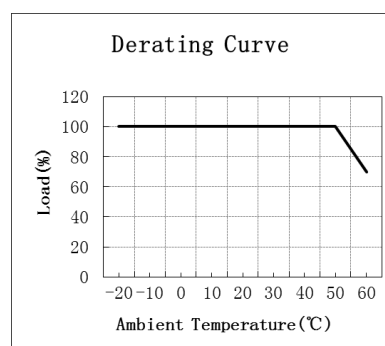
Wiring Diagram



Dimming Curve



Derating Curve



DIP-Switch selection table

Current	DIP-1	DIP-2
280mA	OFF	OFF
350mA	ON	OFF
450mA	ON	ON

Remark: Function default setting is: 280mA (@switch are all OFF state)

Caution

1. The product shall be installed and serviced by a qualified person.
2. This product is non-waterproof. Please avoid the sun and rain. When installed outdoors please ensure it is mounted in a water proof enclosure.
3. Good heat dissipation will prolong the working life of the controller. Please ensure good ventilation.
4. Please check if the output voltage and current of any LED power supplies used comply with the requirement of the product.
5. Please ensure that adequate sized cable is used from the controller to the LED lights to carry the current. Please also ensure that the cable is secured tightly in the connector.
6. For safety consideration, PVC or rubber cord of 0.75-2.5mm² is recommended for input and output terminal(s). Flat power cord is not suitable. Ensure all wire connections and polarities are correct before applying power to avoid any damages to the LED lights.
7. If a fault occurs please return the product to your supplier. Do not attempt to fix this product by yourself.