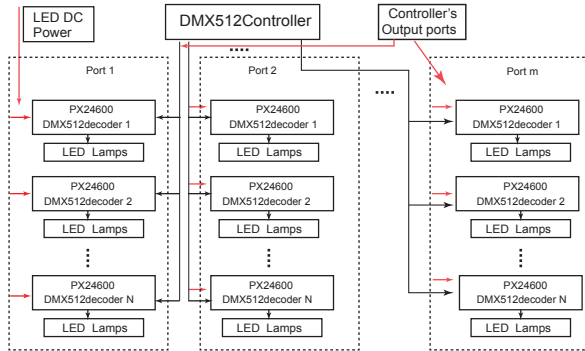


How To Use

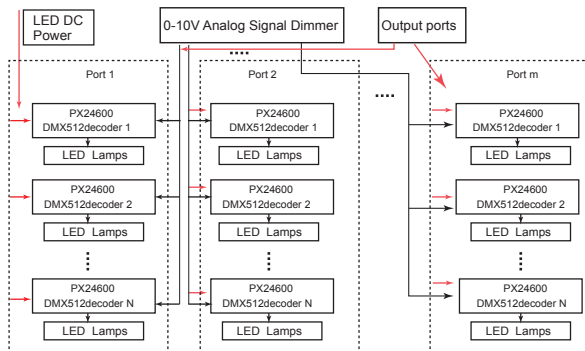
PX24600 is controlled by DMX-512 digital signal. The frontage is DMX512 transmitter, take EC-DMX512 for example, to control 0~24V analog devices. We suppose to drive LED to introduce it. The connecting is below:

- Connection to DMX512 Controller



1.m is the amount of controller output port
2.n is the max.amount of terminals for each port

- Connection to 0-10V Analog Signal Dimmer



1.m is the amount of controller output port
2.n is the max.amount of terminals for each port

PRODUCT SPECIFICATION

PRODUCT SPECIFICATION



High Power DMX Decoder&driver
Model:PX24600(RJ45 INTERFACE)

Meets DMX512/1990
Can drive 6A
Can drive many kinds of LED lamps

SUMMARIZE

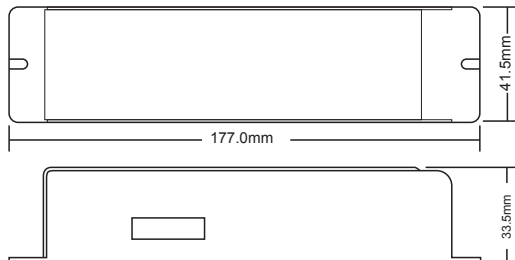
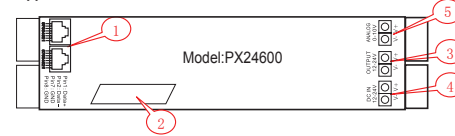
Thank you for using PX series DMX512 decoder. With advanced micro-computer control technology, PX series convert the widely used DMX512/1990 signal to analog signal. Support DMX dimming function (prior) and 0-10V analog signal dimmer.

FEATURES

- Meets DMX512/1990
- 1 output CH., can drive 6A
- With control system, can express perfect effect
- Can set the DMX address freely
- Modularizing, can be combined with LED module neatly
- Can be custom-made

TECH. CHARACTERISTICS

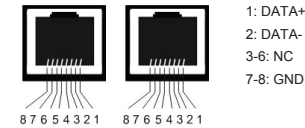
Decode CH.: 1
 Input Signal: DMX-512/1990 digital signal
 Output Signal: 0~24V, can drive 6A
 Power Supply: DC12~24V
 Power Dis.: <1W
 Power Output: <144W
 Operating Temp.: 0~70℃
 Size: L177(mm)*W41.5(mm)*H33.5(mm), can be custom-made
 Packing size: 180(mm)*43(mm)*38(mm)
 Net Weight: 245.5g
 Gross weight: 263g

DIMENSION**Appearance**

- (1) DMX signal input and output interface (RJ45) (4) Power input interface
 (2) Address setting interface (5) 0-10V dimmer input interface
 (3) Driver output interface

Interface Introduction

- DMX signal interface



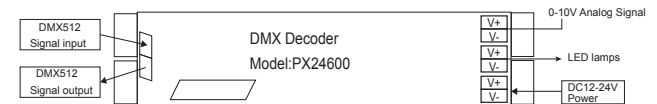
- Address setting interface
How to use See "DMX series address Dip switch"

- Power input interface
DC 12-24V input, supply power for decoder and the lamps it takes.

- Driver output interface
Common anode, V+ and V- interface, can drive single-color module. Can regulate output current according to the actual load. Maximum shall not exceed 6A

remark:

Connect the anode wire of single-color module to V+ on decoder, and connect the cathode wire to V- on decoder.

TYPICAL APPLICATIONS**Connecting of DMX-512 Signal**

- The wire for DMX signal is STP, the DMX signal has positive and negative signal.

Pay attention to the polarity while soldering. Connect the positive signal, negative signal and GND to the corresponding signal of PX24600.

- DMX dimming signal will be choose prior to 0-10V analog signal. When both DMX and 0-10V analog signal terminals are plugged into PX24600, the controller will choose DMX signal automatically. If you need 0-10V analog signal only, please take off the DMX512 dimming signal terminal.