

PRODUCT SPECIFICATION

PRODUCT SPECIFICATION



DMX To 0-10V/1-10V Converter

Model: PX24608(RJ45 INTERFACE)

Meets DMX512/1990

4 channel output, current 50mA max per channel

SUMMARIZE

Thank you for using PX series of DMX512 Decoder. PX series adopt the advanced micro-computer control technology, it converts the DMX-512/1990 standard digital signal adopted widely in international to 0-10V/1-10V signal.4 Channels output, output driver 50 mA per channel.it can be used to control 0-10V/1-10V dimmer. It is mainly used for signal convert between DMX Master and 0-10V/1-10V Dimmer.

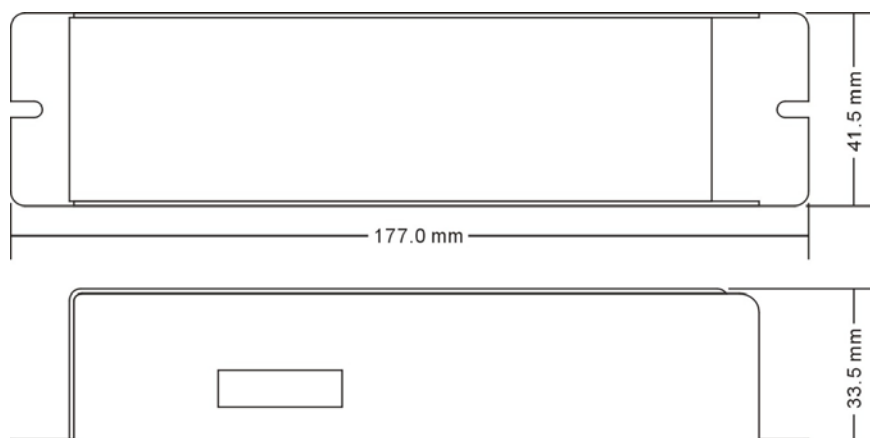
Product Features

- ◆ Meet the DMX512 international standard treaty
- ◆ 0-10V/1-10V analog signal output
- ◆ 4 channels output, output driver 50mA per channel
- ◆ Match the control system, can achieve various changing effects
- ◆ With the lamp color selected mechanism, and be able to control the lamp with 1~4 colors;
- ◆ Can set the lamp DMX address freely
- ◆ Modularizing and can be matched with different LED module neatly

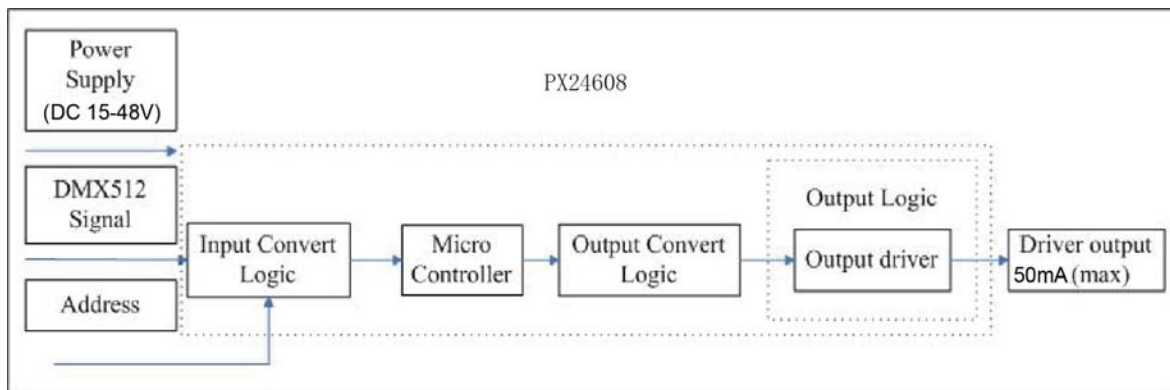
Tech-parameter

Decode CH.	1-4 channels
Signal Input:	DMX-512/1990 International Standard Digital signal
Signal output:	0-10V/1-10V analog signal dimming, max 50mA per channel
Power supply:	DC 15-48V
Work Temp.	-15~55℃
Size:	L177(mm)*W41.5(mm)*H33.5(mm)
Packing size:	L180(mm)*W43(mm)*H38(mm)
Net Weight:	242.5g
Gross weight:	261g

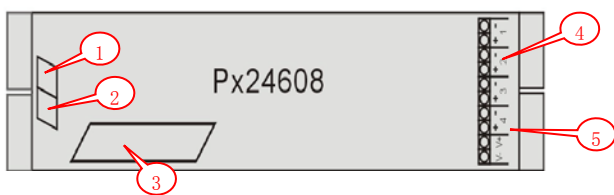
DIMENSION



Internal Block Diagram



Appearance

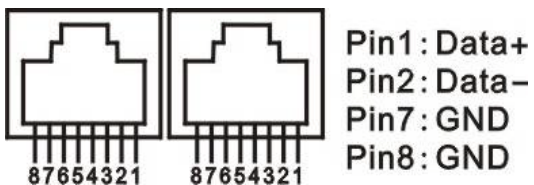


- (1) 、 (2) DMX signal input&output interface(RJ45)
- (3) Address setting interface
- (4) Driver output interface
- (5) Power input interface

Interface Introduction

- ◆ DMX signal interface

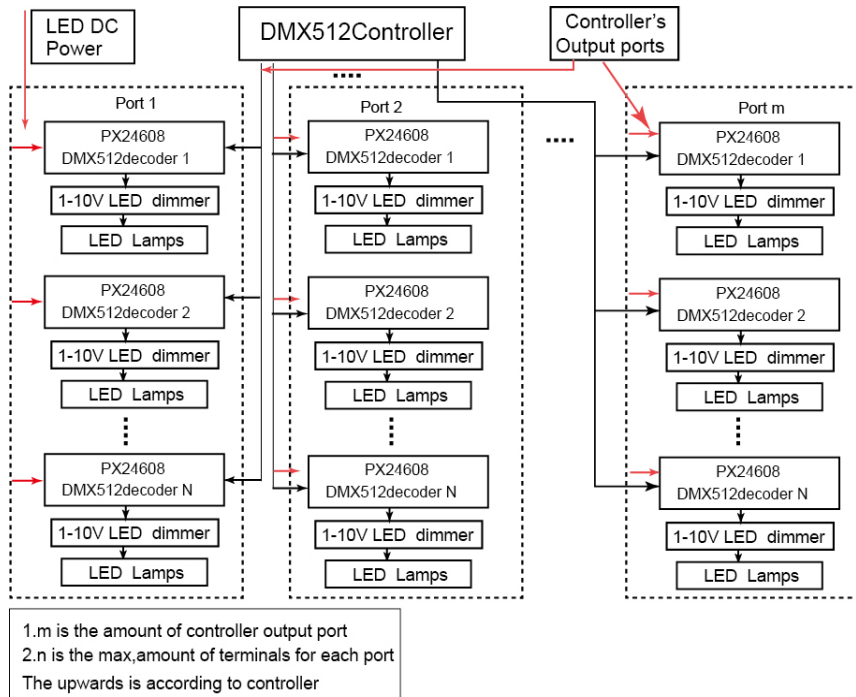
RJ45



- ◆ Address code setting on/off
Please see the operating instruction details as "DMX series of addresses dial code table "
- ◆ Power Input Interface
DC 15-48V input, supplied power with the decoder and the lamps it takes.
- ◆ Driver output interface
4 channels independent output active 0-10V/1-10V analog dimming signal

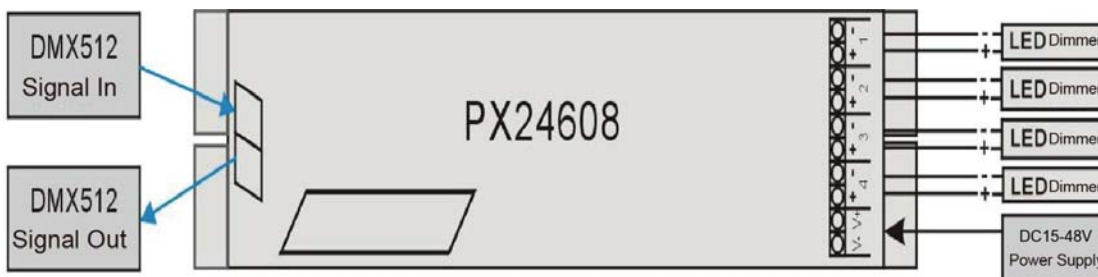
Operating instruction

PX24608 Decoder is controlled by DMX-512, and its fore-end connect with the DMX512 signal transmit device. Take EC-DMX512 for example, its rear-end can connect with 0-10V/1-10V Dimmer. This instruction is only for signal converter. The connecting diagram is as following.



TYPICAL APPLICATIONS

◆ **Circuit Diagram 1**



Connecting of DMX-512 Signal Cable

- ◆ DMX signal cable used the CAT-5 cable, and DMX signal tells positive(+) from negative (-). While welding the DMX signal cable plug,there must pay much attention to know postive(+) from negative(-), and then connect the DMX512 signal cable with the corresponding input interface of PX24608 correctly.
- ◆ Connect a signal terminal at the end of the whole connetion.