

FEATURES

- Meets DMX512/1990.
- With 24 Channels constant voltage output and Max. 2A output each channel.
- 256-levels brightness and full-color control.
- IR remote controlled with line IR receiver.
- DMX address can be set manually by dip-switch.
- With good noise-proof feature.
- Can be custom-made.



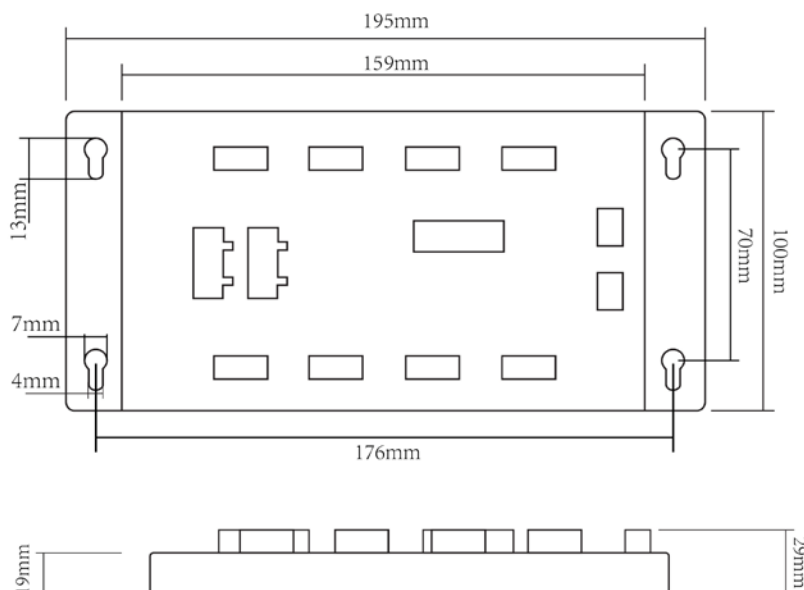
SPECIFICATION

Output Channel	24 Channels
Power Supply	DC12-24V
Signal Input	DMX512/1990
Output Voltage	0 ~ V+ (V+ is power supply)
Output Current	2A/Ch Max
Output Power	576W(12V) / 1152W(24V)
Power Dis.	< 1W
Remote	IR remote
Working Temperature	-20°C - 50°C

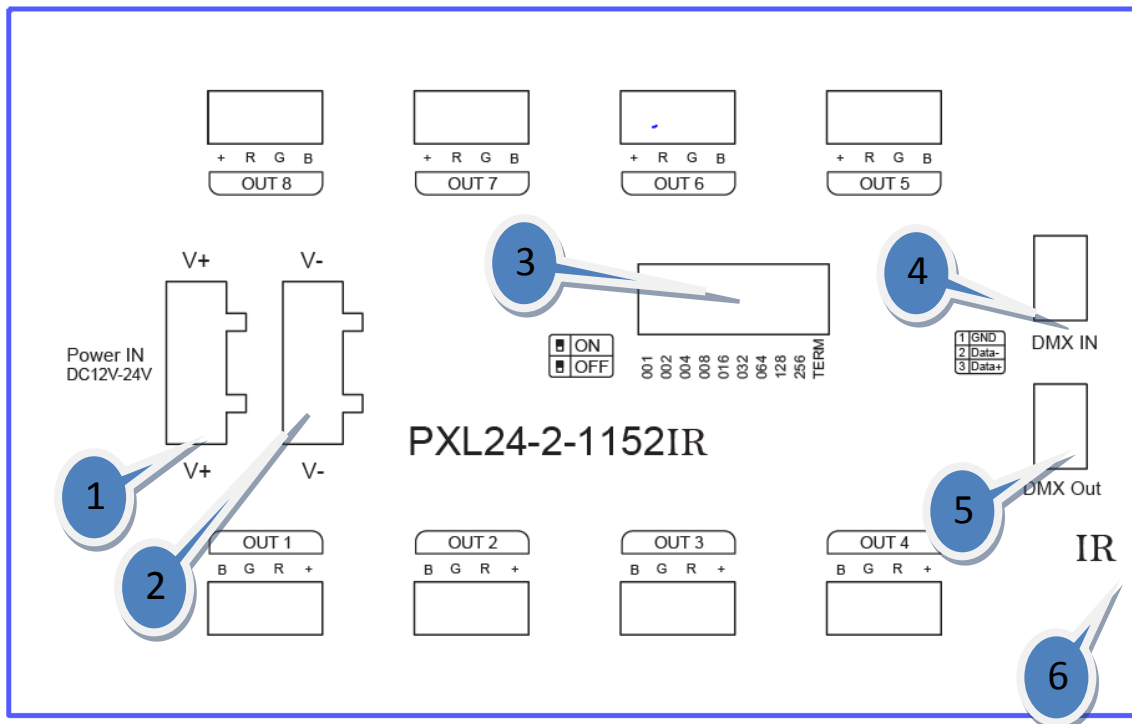
PACKAGE

Size:	L195*W100*H18mm	Carton size:	265*244*262mm
G.W.:	511g	QTY. /carton:	13pcs
Carton size:	585*230*220mm	Weight/carton:	7.5kg

DIMENSION



Appearance



- (1) Power: DC V+
- (2) Power: DC V-
- (3) Address setting DIP-Switch
- (4) DMX IN interface
- (5) DMX OUT interface
- (6) IR Receiver jack

Driver output interface

Common in anode-V+ and with 8pcs of V+ interface & 24pcs of R, G, B output interface. Not only does it apply to the several of LED module in full-color & mono-color, but also it can self-trim the output current based on the load of LED module. 2A per channel shall not beyond the maximum.

Remark:

Connect the anode and RGB wire of common anode RGB module to the output interface of decoder directly; Connect the anode wire of single-color module to V+ on decoder, and connect the cathode wire to one of RGB pin according to the LED's color; Connect several single-color module to one decoder, please connect their anode wires to V+ pin on decoder together.

Address set:

Refer to "DMX Series of address dial code table" to set DMX Address by dip-switch.

Remote function instruction

DMX: Press this button to get into DMX control, the device will start to receive the DMX signal.

LOCK: Lock function, only in CT mode effectively, press the Lock, in addition to the DMX and LOCK buttons, other keys are locked, when entering Lock mode, you can press the Lock button to unlock.

FADE: Changed from jumped change to gradual change on dynamic mode (only used for P2-P5) .

BRIGHTNESS: 16-level brightness adjust.

- +: Brightness increase 1 level.
- : Brightness decrease 1 level.

SPEED: 16-level speed adjust.

- +: Speed increase 1 level.
- : Speed decrease 1 level.

P1-P5: 5 regular changing modes

P1: 8 regular colors changing(Red, Orange, Yellow, Green, Cyan, Blue, Purple, White).

P2: 8 regular colors jumped change and gradual change mode(Red, Orange, Yellow, Green, Cyan, Blue, Purple, White).

P3: RGB jumped change and gradual change modes

NO.	Mode	NO.	Mode	NO.	Mode
1	RG	3	GB	5	RGB
2	RB	4	YC	6	7 color

P4: Special effect modes

NO.	Mode	NO.	Mode
1	7 Color Fade	4	RGB Ramp Up
2	DISCO	5	RGB Ramp Down
3	Fire		

P5: Chasing and water effects

NO.	Mode	Directions
1	Water_Fade1	24 channels, Brighten channel-by-channel
2	Water_Fade2	24channels, A channel is lit, the other channel is closed
3	Water_Fade3	8 colors chase



WIRING DIAGRAM

- DMX signal cable used the CAT-3 cable
- Connect a signal terminal at the end of the whole connection.

