

Walldim105

TRIAC Dimmer

Product Features

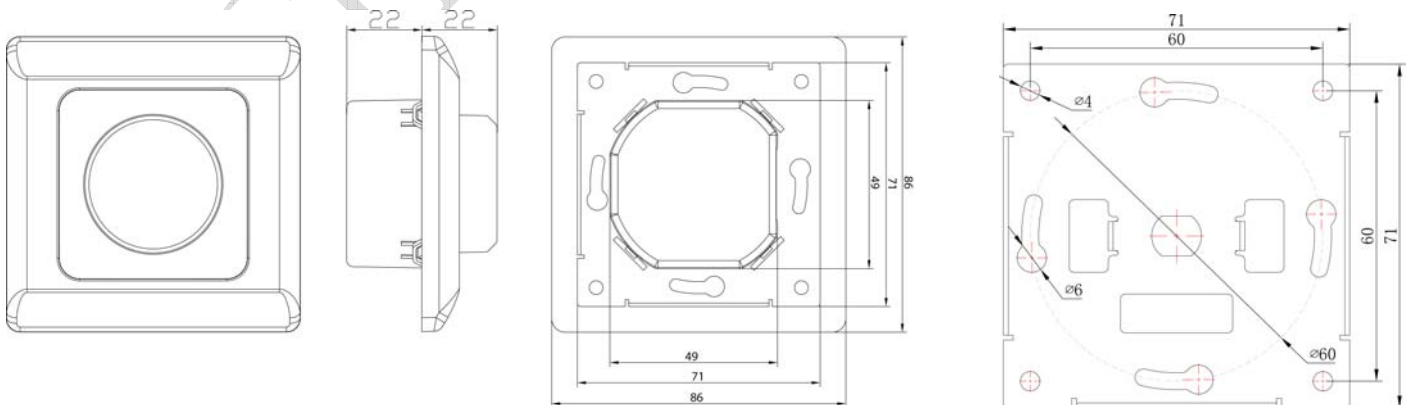
- Support leading edge dimming
- ABS material, high flame retardant
- Fashion, and easy to use
- Suitable for TRIAC dimming driver, incandescent lamps, halogen lamps and other loads
- Installation in appliance box to DIN 49073 , used in the study, bedroom, restaurant, bars and other places need dimming control



Technical Parameters

Model	Walldim 105	
Input voltage	200-240VAC	
Input frequency	50/60Hz	
Load type	Incandescent lamp:	500W
	Halogen lamps:	500W
	Dimmable leds:	300W
	TRIAC dimming driver:	300W
Panel color	Ivory-white	
Panel size	86*86*44mm (W*H*D)	
Packing size	103*103*50mm (W*H*D)	
G.W.	140g	
Working temp.	-10°C ~ 55°C	
Relative humidity	20~90% RH	

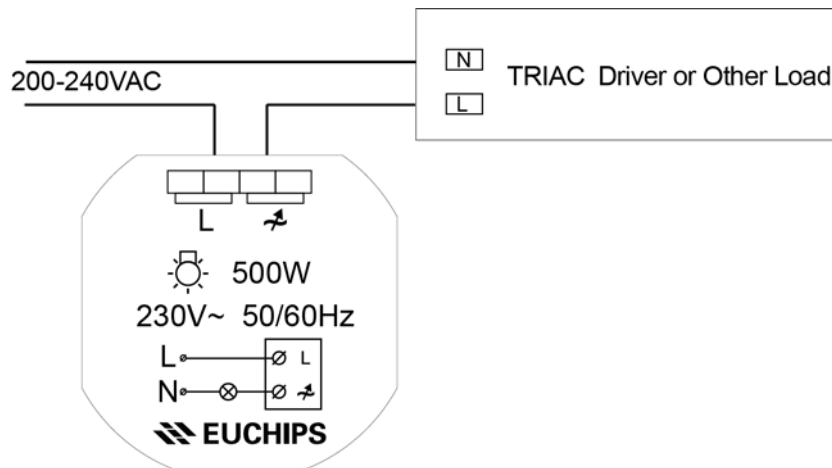
Dimension (mm)



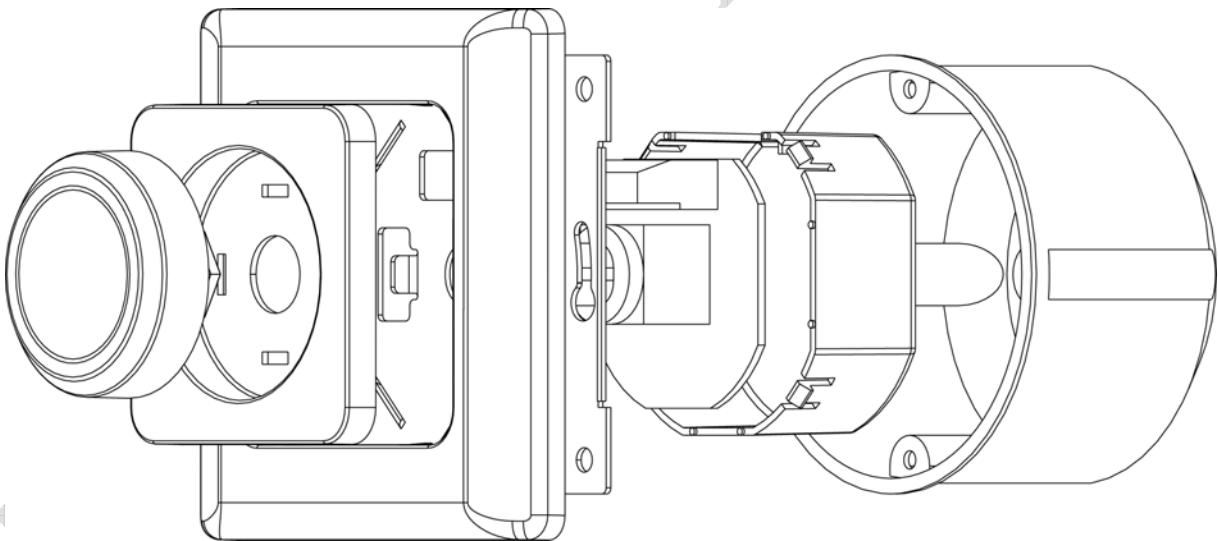
Function Description

- 1) Press the knob to switch dimmer.
- 2) Adjust the brightness of light by rotating the knob, twist the knob clockwise to brighter bulb. Dimmer is able to adjust the brightness of bulb from minimum to maximum by rotary potentiometer.
- 3) Press the knob in any state, can open or close the load.

Wiring Diagram



Installation Guide



1. Remove the knob, nut and panel
2. Connect wire according to Wiring Diagram. Refer to Wiring Diagram.
3. Mount the bottom box on the cassette in the wall after connecting the wire, and then nail the screw, fix it on the wall.
4. Mount panel and knob to the bottom box in the right direction.

Remarks:

1. Connect the load wire at first, then connect the power wire; Please ensure short circuit can not occur between wires before you turn on the power.
2. Please check the input voltage and frequency range, it may burn out the dimmer once exceed the voltage or frequency range.